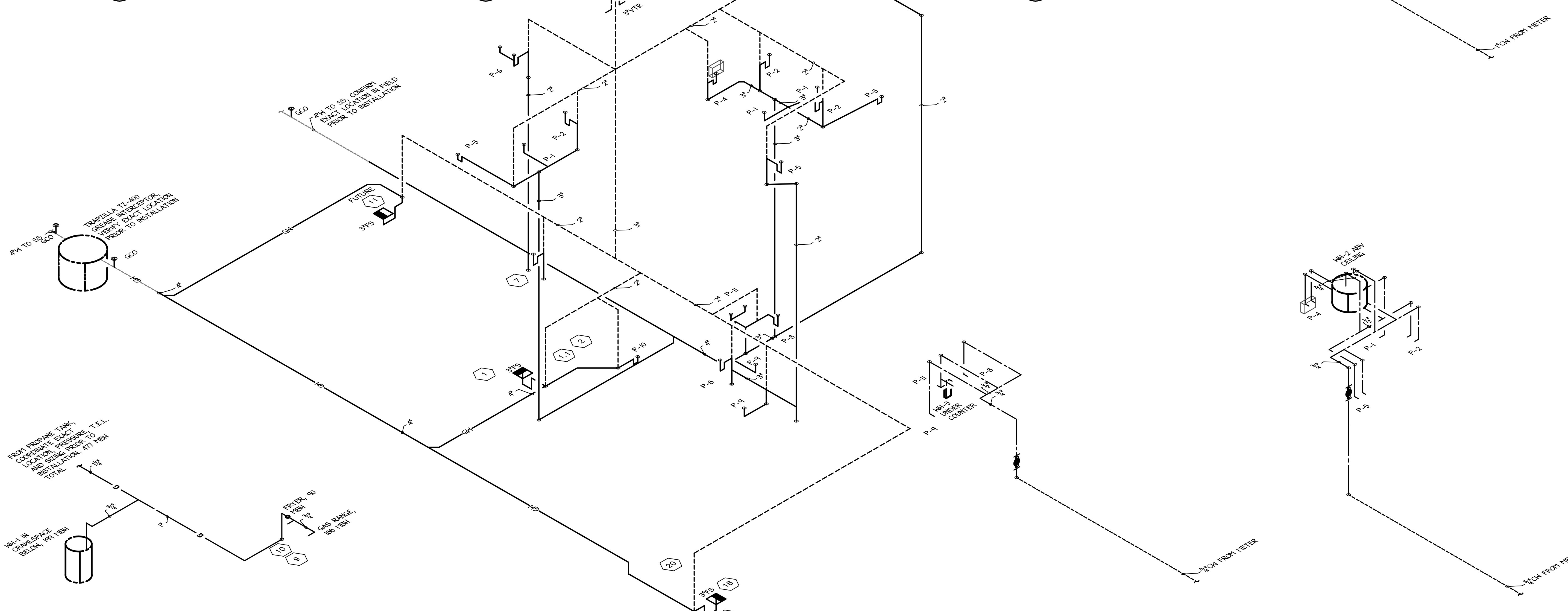


5 APARTMENT WATER RISER
NOT TO SCALE

6 APARTMENT WATER RISER
NOT TO SCALE

7 PIE SHOP WATER RISER
NOT TO SCALE



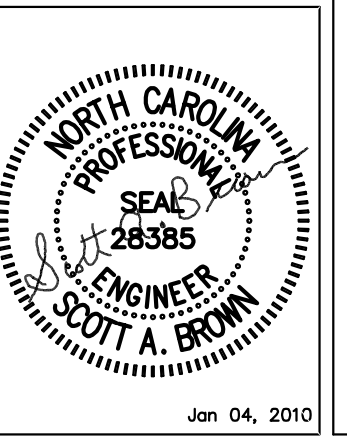
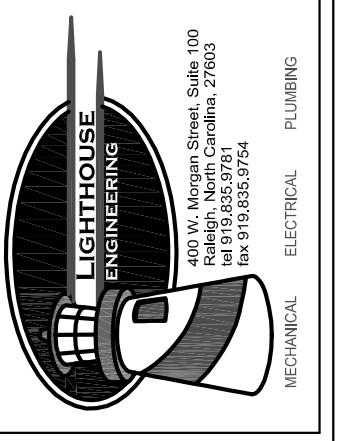
1 PROPANE GAS RISER
NOT TO SCALE

2 WASTE AND VENT RISER
NOT TO SCALE

3 1ST FLOOR OFFICE WATER RISER
NOT TO SCALE

4 2ND FLOOR OFFICE WATER RISER
NOT TO SCALE

TRALUB ARCHITECTURE + DESIGN, INC.
328A West Morgan Street
Raleigh, NC 27601
919.829.1291
919.829.1292 Fax



PROJECT # 2008-09

Warrenton Pie Shop
108 & 110 S. Main Street
WARRENTON, NC

REVISIONS

DATE	01-04-10
DRAWN BY	CFH
PROJECT NO.	2008-09
SHEET TITLE	PLUMBING RISERS
SHEET	P3

TRAUB ARCHITECTURE + DESIGN, INC.

CFH-0901-POL.dwg
Jan 04, 2010 11:28am